

DO NOT SCALE FROM THIS PRINT

DESIGNED AND DIMENSIONED IN MILLIMETERS [INCHES]

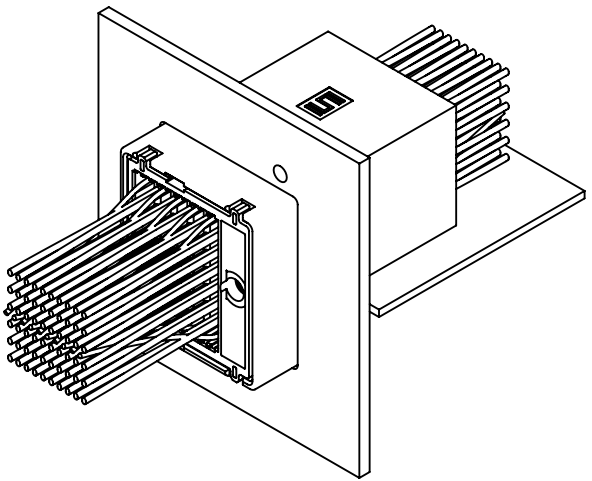
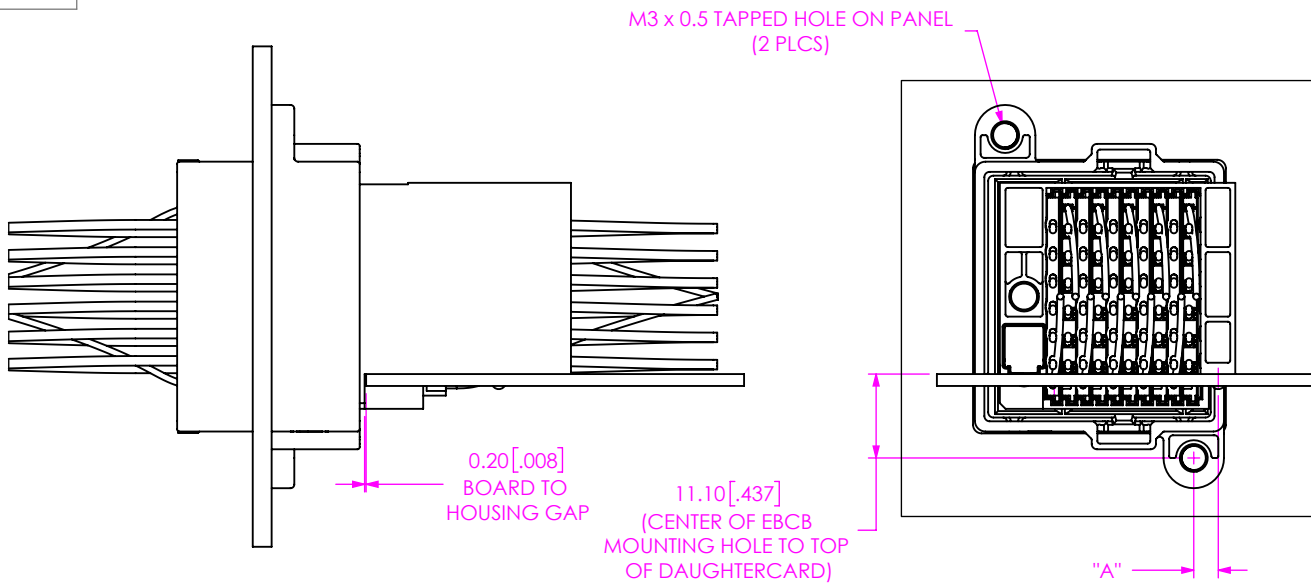


TABLE 1

COLUMNS	"A" (RIGHT GUIDANCE)	"A" (LEFT GUIDANCE)
-08	3.25 [0.128]	24.19 [0.952]
-10	3.25 [0.128]	28.19 [1.110]
-12	3.25 [0.128]	32.19 [1.267]
-14	3.25 [0.128]	36.19 [1.425]
-16	3.25 [0.128]	40.19 [1.582]

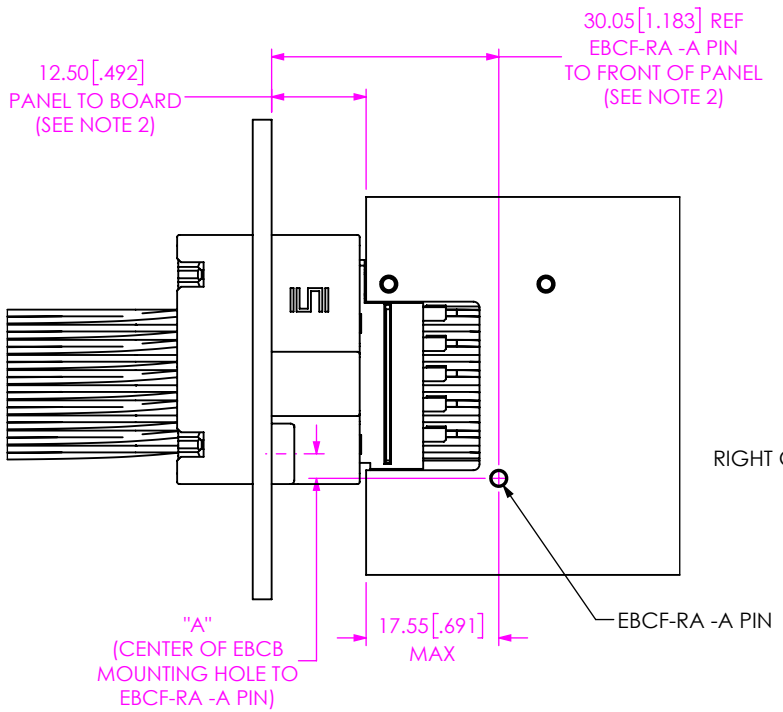


FIG 1 RIGHT GUIDANCE SHOWN

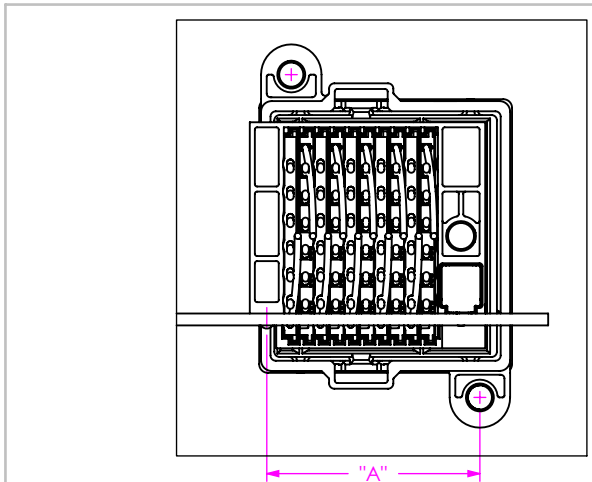


FIG 2 LEFT GUIDANCE SHOWN (DIFFERENT AS SHOWN, OTHERWISE SAME AS FIG 1)

NOTES:
 1. UNLESS OTHERWISE SPECIFIED, ALL DIMENSIONS BASED ON NOMINAL VALUES WITH FULLY MATED CONNECTORS.
 2. ASSEMBLIES ARE SHOWN IN THE FULLY MATED POSITION. THESE DIMENSIONS SHOULD BE CONSIDERED A MINIMUM SPECIFICATION

PROPRIETARY NOTE
 THIS DOCUMENT CONTAINS CONFIDENTIAL AND PROPRIETARY INFORMATION AND ALL DESIGN, MANUFACTURING, REPRODUCTION, USE, PATENT RIGHTS AND SALES RIGHTS ARE EXPRESSLY RESERVED BY SAMTEC, INC. THIS DOCUMENT SHALL NOT BE DISCLOSED, IN WHOLE OR PART, TO ANY UNAUTHORIZED PERSON OR ENTITY NOR REPRODUCED, TRANSFERRED OR INCORPORATED IN ANY OTHER PROJECT IN ANY MANNER WITHOUT THE EXPRESS WRITTEN CONSENT OF SAMTEC, INC.

samtec
 520 PARK EAST BLVD. NEW ALBANY, IN 47150
 PHONE: 812-944-6733 FAX: 812-948-5047
 e-Mail info@SAMTEC.com code 55322

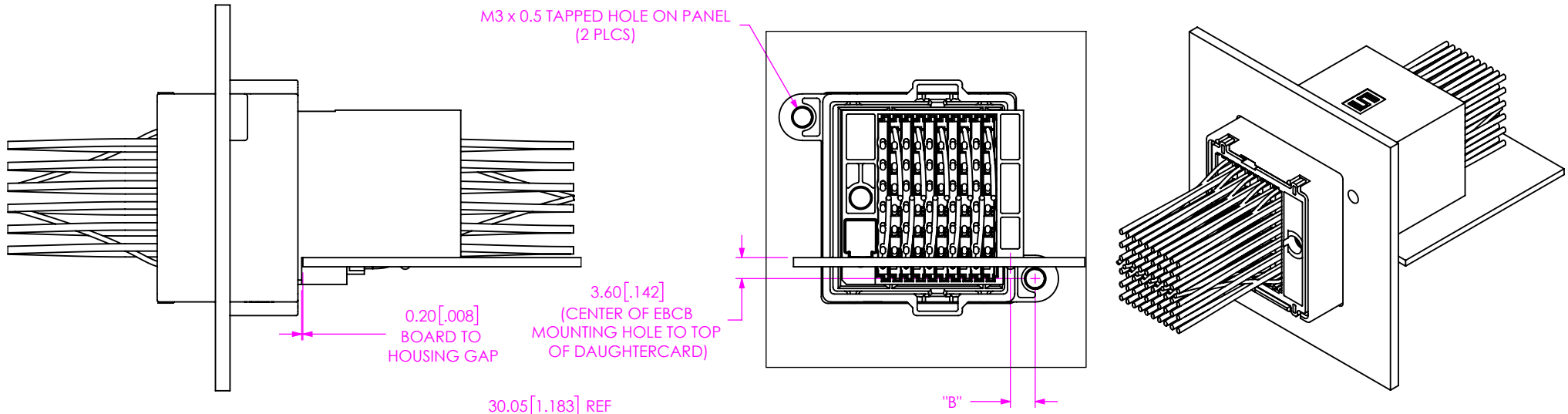


FIG 3
RIGHT GUIDANCE SHOWN

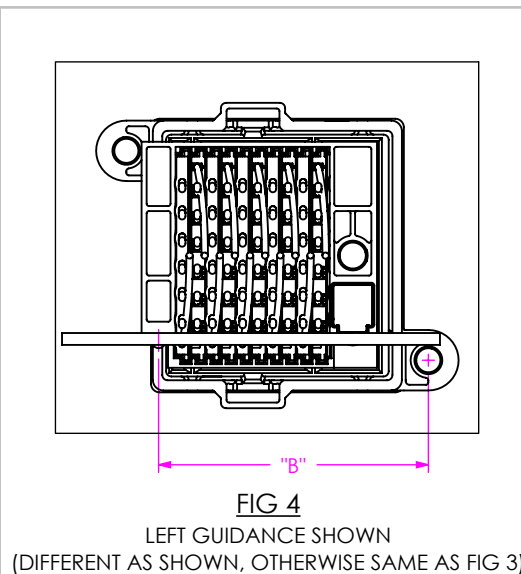
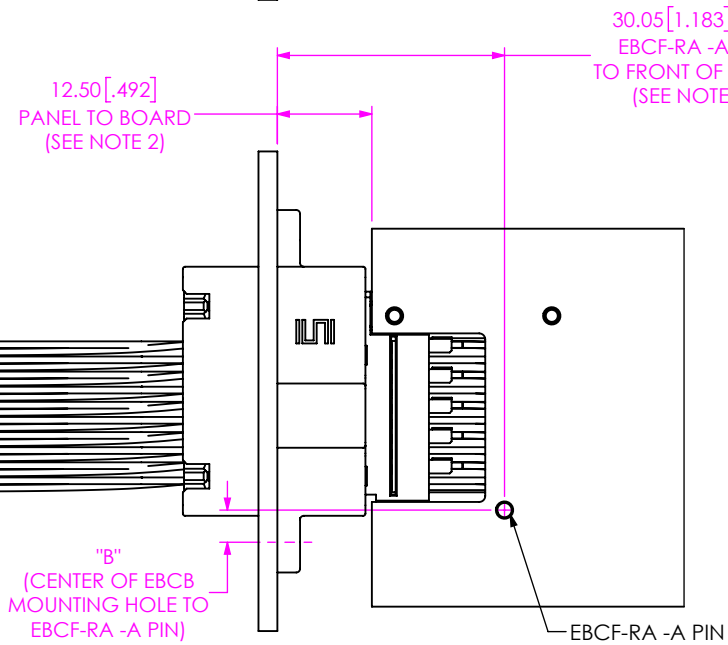


FIG 4
LEFT GUIDANCE SHOWN
(DIFFERENT AS SHOWN, OTHERWISE SAME AS FIG 3)

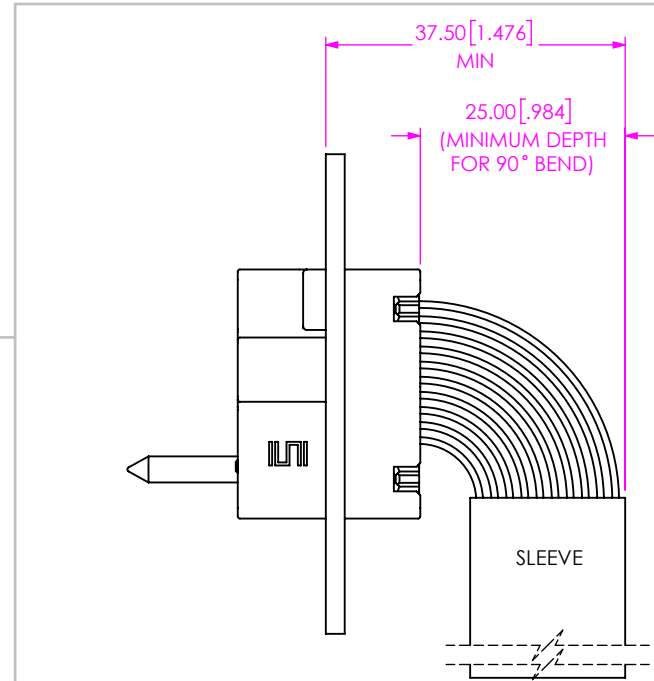


FIG 5
EBCB MATED WITH EBCM SHOWN

TABLE 2

COLUMNS	"B" (RIGHT GUIDANCE)	"B" (LEFT GUIDANCE)
-04	4.26 [0.168]	23.69 [0.933]
-06	4.26 [0.168]	27.69 [1.090]
-08	4.26 [0.168]	31.69 [1.248]
-10	4.26 [0.168]	35.69 [1.405]
-12	4.26 [0.168]	39.69 [1.563]
-14	4.26 [0.168]	43.69 [1.720]
-16	4.26 [0.168]	47.69 [1.878]

PROPRIETARY NOTE
THIS DOCUMENT CONTAINS CONFIDENTIAL AND PROPRIETARY INFORMATION AND ALL DESIGN, MANUFACTURING, REPRODUCTION, USE, PATENT RIGHTS AND SALES RIGHTS ARE EXPRESSLY RESERVED BY SAMTEC, INC. THIS DOCUMENT SHALL NOT BE DISCLOSED, IN WHOLE OR PART, TO ANY UNAUTHORIZED PERSON OR ENTITY NOR REPRODUCED, TRANSFERRED OR INCORPORATED IN ANY OTHER PROJECT IN ANY MANNER WITHOUT THE EXPRESS WRITTEN CONSENT OF SAMTEC, INC.



520 PARK EAST BLVD, NEW ALBANY, IN 47150
PHONE: 812-944-6733 FAX: 812-948-5047
e-Mail info@SAMTEC.com code 55322